

General Instructions



When you use the oven for the 1st time, it will give off a odor of paint. This is due to the fact that the curing process of the paint takes place while in use. This is normal and will not occur after the first use.

During the curing process, you should not touch any surface of the oven.

The Oven should reach at least 482 degrees Farenheit for a period of at least 1 hours. Once that occurs, you should let the oven cool off completely.

Now your oven is ready to use!



Remember never to touch any metal surfaces of the oven while it is in use, as it can produce severe burns.



It is best to store the oven unit in a dry place, moisture may result in rust.

WWW.PRODUCTOSNUKE.COM.AR

80-005-009 MNL-OVENS REV: 35

OVENS



WOOD FIRE OVEN ÑUKE 60
WOOD FIRE OVEN 90

BUILT-IN OVEN OWNER'S MANUAL

Please keep the Owner's Manual for future reference; it contains important information about your product.

OVEN WITHOUT BASE OWNER'S MANUAL

Please keep the Owner's Manual for future reference; it contains important information about your product.

OVEN WITH BASE OWNER'S MANUAL

Please keep the Owner's Manual for future reference; it contains important information about your product.

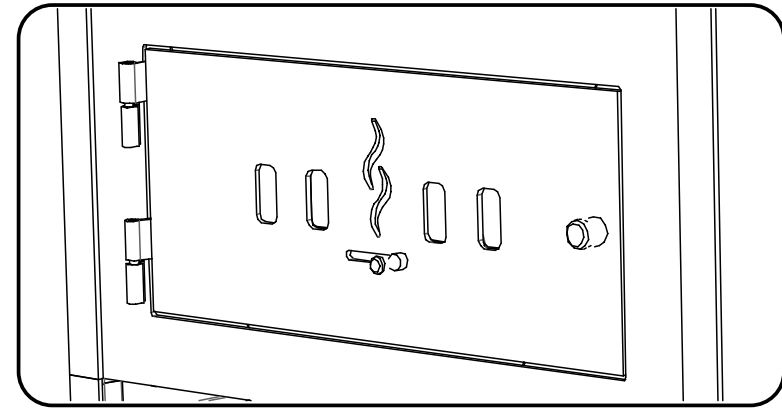
All of us at Nuke appreciate your choice of our product and the trust you place in us.

WELCOME TO THE NUKE FAMILY!



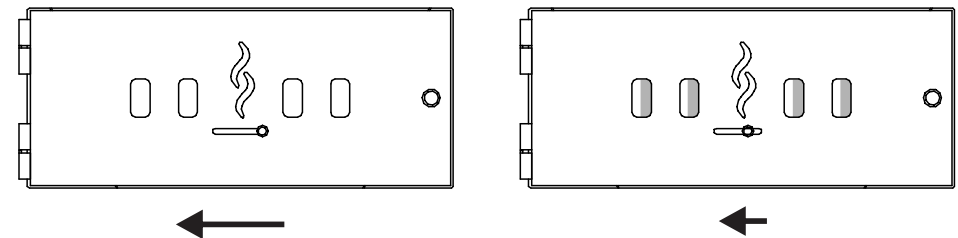
Adjustable air intake

Your ÑUKE® oven has a built-in variable control of air intake, allowing you to adjust the cooking according to your personal needs and taste..



PRIMARY AIR:

Primary air is the air that reaches the base of the flame enabling the ignition of the oven.



Moving the lever to the open position allows for a greater amount of air to enter the hearth of the oven, achieving a faster ignition. If you wish to maintain a constant baking temperature, move the lever to the closed position.



 Caution! The lever may be hot.

As an optional accessory, you may choose to install a Chimney Cap.

When installing the ÑUKE® accessory chimney caps and pipes, consider the following recommendations.

✓ The installation of the exhaust pipes should be fitted with an "O-shaped" chimney cap or an "H-shaped" chimney cap. The "H-shaped" chimney caps are recommended for windy areas.

h type

rain cover chimney cap

✗

Standard chimney caps do not provide an effective protection from sidewinds, preventing the combustion gases from venting freely and the oven from producing a good combustion. This in turn can lead to unwanted smoke spilling into the environment where the oven is placed.

Chimney cap (4 "or 6", according to model)

High temperature sealant

Pipe reducer 4" or 6"

4" or 6" pipe on the outside of the Chimney Cap














Jacketed pipe inside the reducer

Insulating glass wool

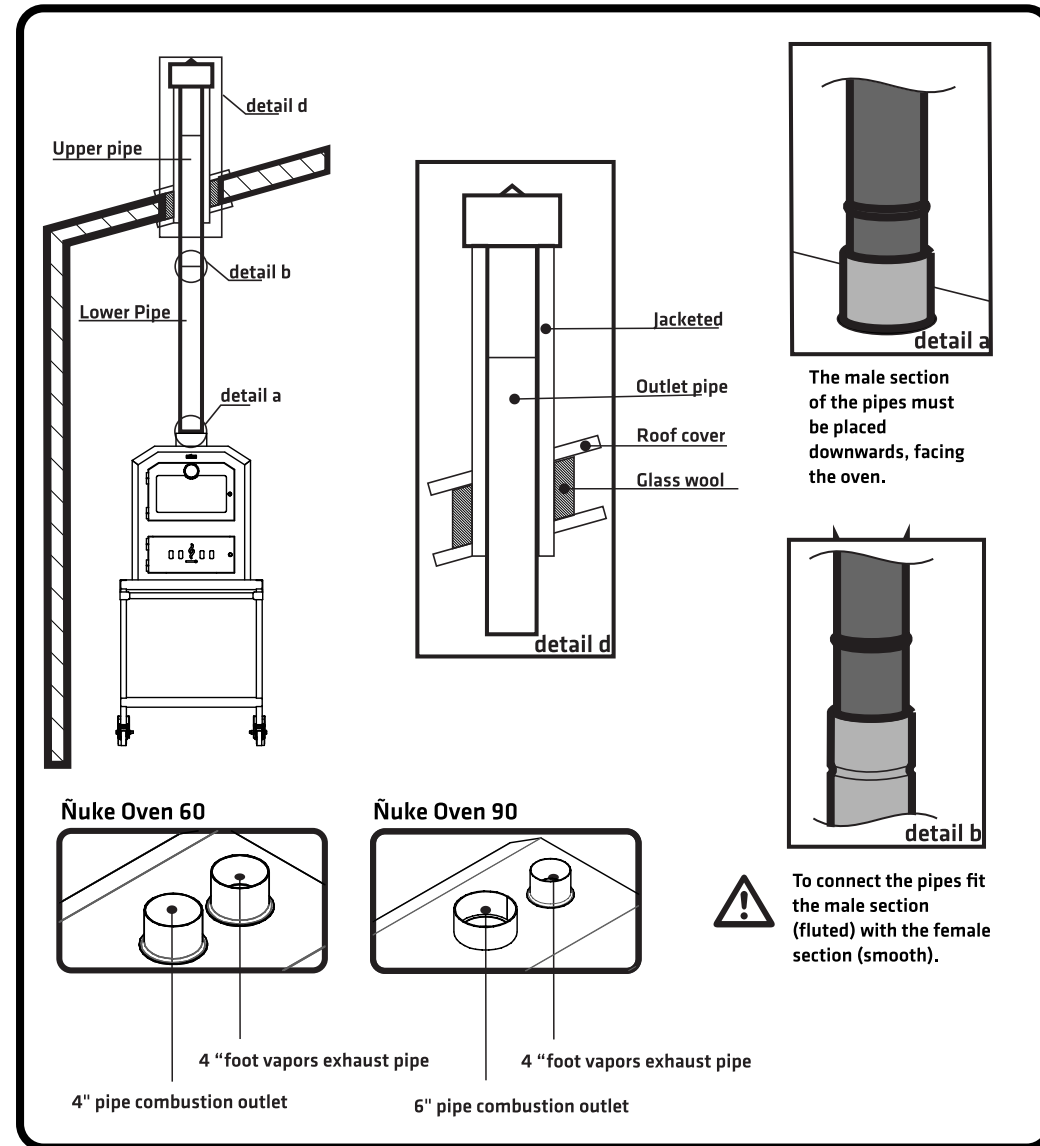
⚠ The chimney cap, the pipe reducer and the upper end of the pipe must be secured together with screws. The reducer plays freely with respect to the jacketed pipe allowing for thermal expansion. The reducer and jacketed pipe should not be screwed together.

IMPORTANT SAFETY WARNINGS

PLEASE READ THESE SAFETY INSTRUCTIONS CAREFULLY. IGNORING THE SAFETY WARNINGS CONTAINED IN THIS OWNER'S MANUAL MAY RESULT IN SERIOUS PERSONAL INJURY UP TO AN INCLUDING DEATH, OR POTENTIALLY CAUSE FIRE OR EXPLOSION THAT MAY CAUSE PROPERTY DAMAGE.

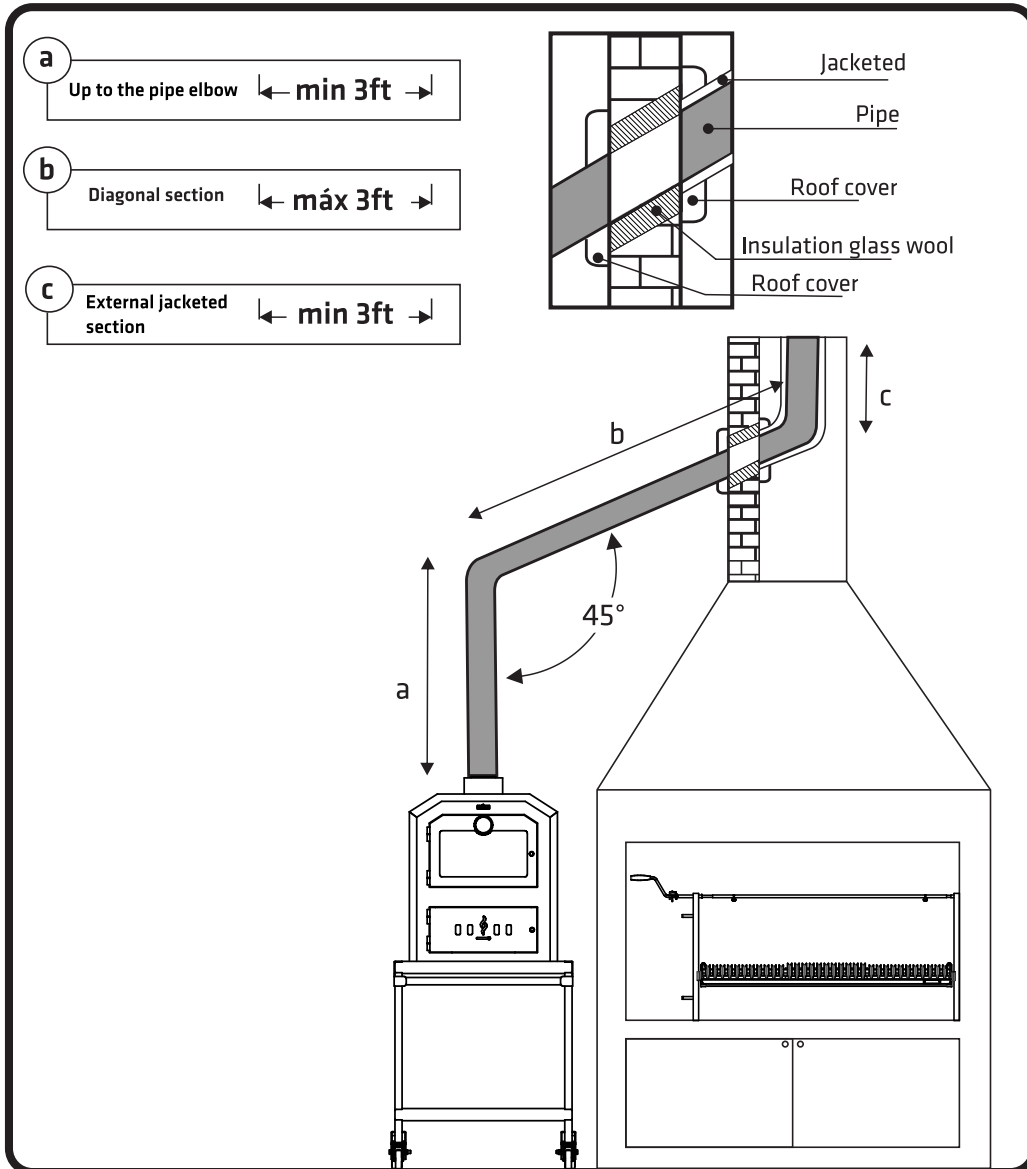
-  The safety symbols (⚠) alert you to relevant information.
-  Read all safety information contained in this Owner's Guide before operating the oven.
-  It is best to store the grill unit in a dry place, moisture may result in oxidization.
-  Do not use charcoal! This oven should only be used with wood. The use of charcoal may reduce its useful life and damage the oven beyond repair.
-  Always use the oven in well ventilated areas. Do not use the oven indoors, noxious fumes may accumulate and cause serious bodily injury or death.
-  Never leave the oven unattended. Keep children and pets away from the oven at all times.
-  Do not try to move the hot oven. Wait until the oven cools off before moving it.
-  Never add flammable fluids or flammable fluid-soaked wood to hot or warm wood.
-  Proceed with caution when operating your oven. It will be hot while it is cooking and should never be left unattended while in use.
-  Proceed with caution when operating your oven. It will be hot while it is cooking and should never be left unattended while in use.
-  Do not remove the ashes until the embers have burned completely and are completely off and the oven is cold.
-  Keep the oven at all times on a safe and level surface, away from flammable and combustible materials.
-  Do not discard hot coals where they could be stepped on or pose a risk of fire.

When installing your **NUKE® OVEN**, keep in mind the following recommendations.



INSTALLATION

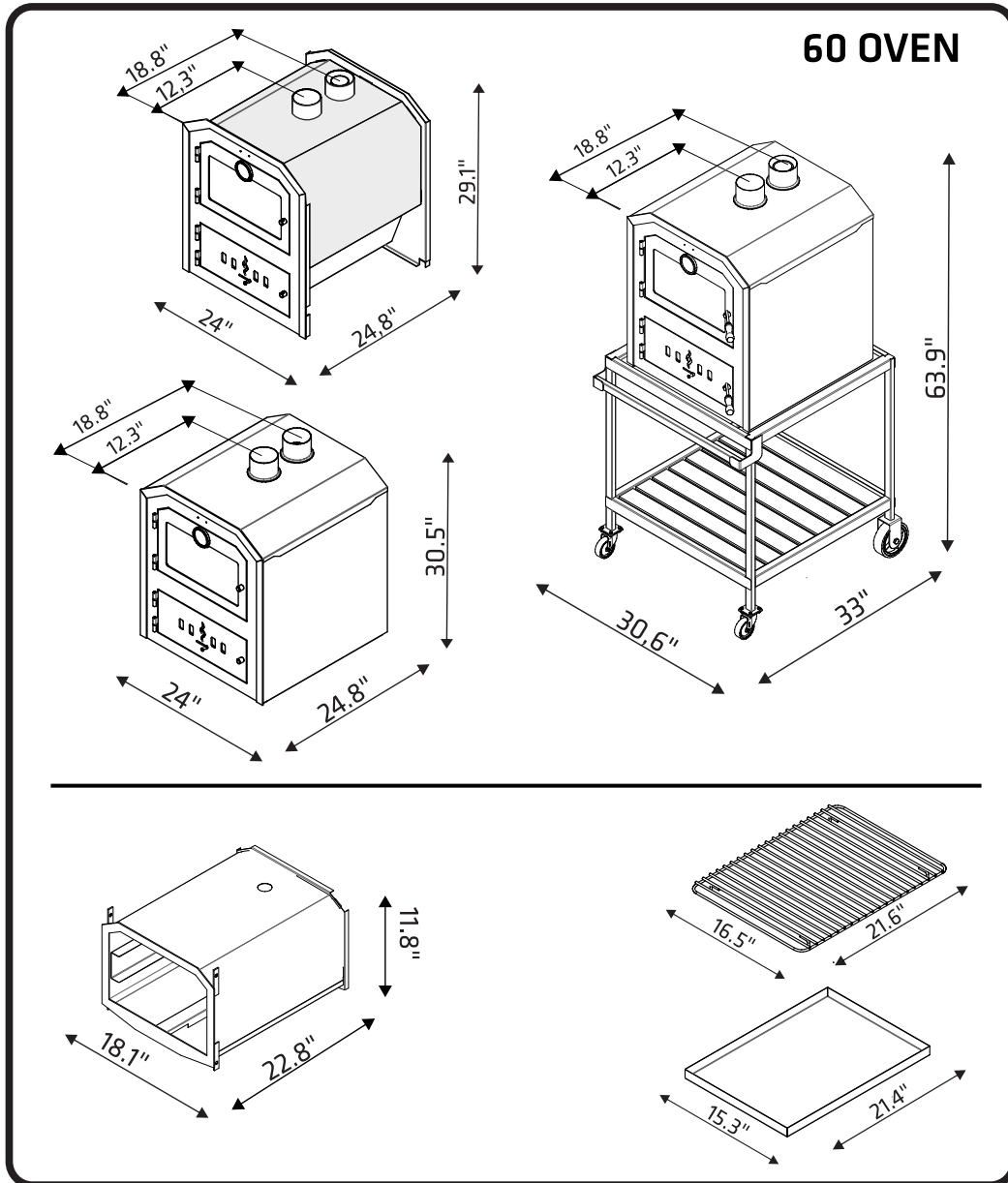
When installing the ÑUKE Oven in existing countertops or bases and prefabricated niches, consider the following dimensions.



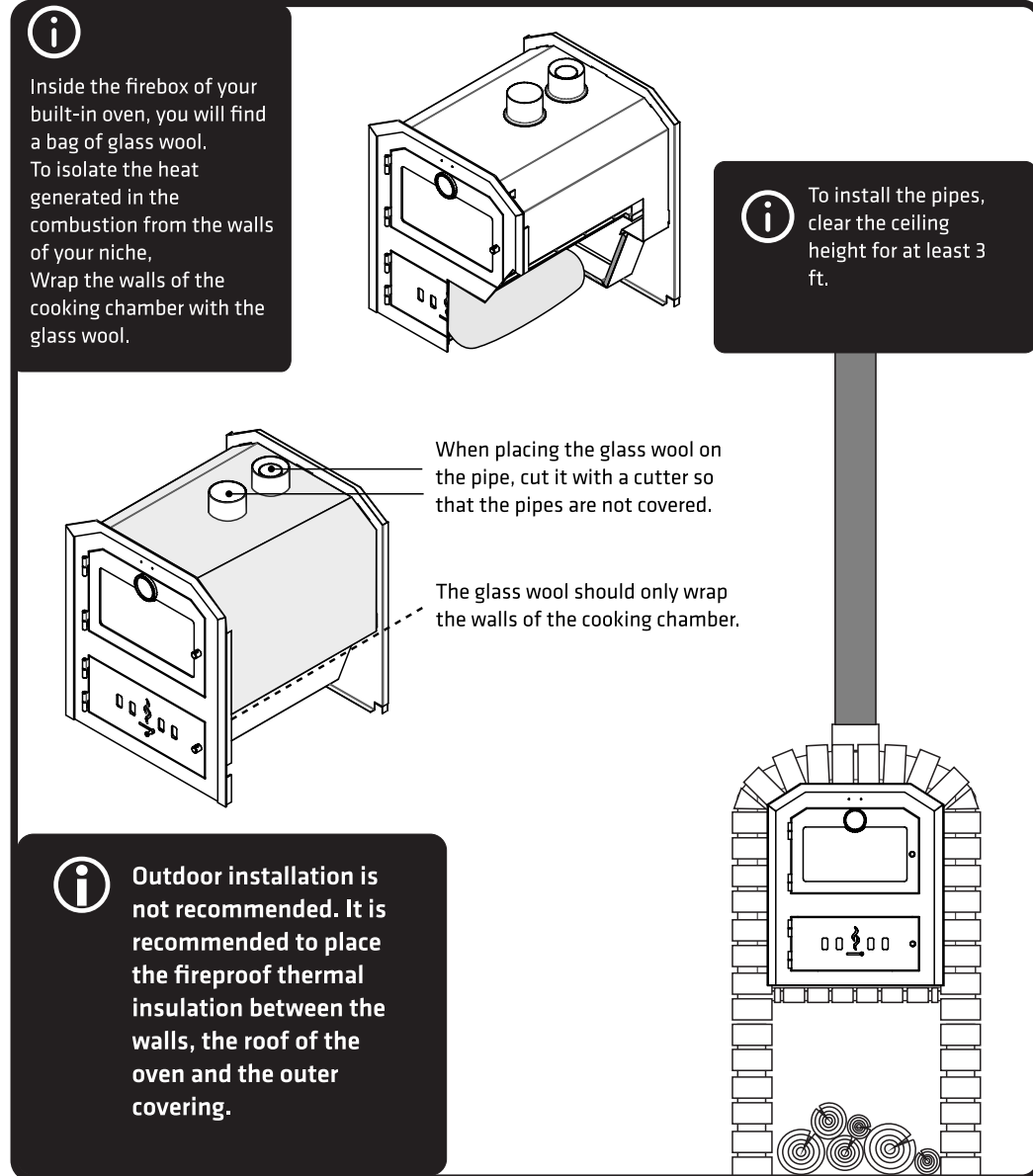
- ⚠ Do not store the oven until the ashes and embers are completely extinguished.
- ⚠ The use of abrasive cleaners on the cooking racks or the oven itself will damage the surface finish..
- ⚠ Clean the oven thoroughly on a regular basis.
- ⚠ Never open the oven door while the flames are high. Allow for the flames to lower before reloading the oven.
- ⚠ Open the door and spread the embers to separate them from the ashes, and place the new logs over the live embers. .
- ⚠ During the first minutes, open the air intake to the maximum allowing the flames to decrease considerably until a stable and constant combustion is reached. Then adjust the air intake to the desired position.
- ⚠ To achieve a good performance of the oven, small successive firing loads should be made and the amount of heat regulated with the air inlet regulator in the desired position.
- ⚠ To reignite the fire after a long period or a prolonged combustion, remove the embers, separate the ashes and add some wooden slats.
- ⚠ When wood burns, combustion byproducts are produced and expelled through the chimney. These byproducts include gases, smoke, unburned wood particles, water vapor, tar fog, hydrocarbon, and various minerals. As these substances exit through the chimney, which is cooler, condensation occurs. Condensation of wood-burning byproducts results in highly flammable creosote on the walls of your chimney liner. Creosote is mostly tar and is brown or black in color. The substance takes several forms because it has three distinct stages, all of which are dangerous because they can cause hazardous chimney fires. You must clean Chimney even 20 days to keep safe and prevent accidents.
- ⚠ Scoop up loose ashes and wood debris with a shovel and a poker, place them in a metal container if they are still hot, ideally with a layer of sand at the bottom of the container, and place them in a safe place.
- ⚠ When the oven is lit it reaches high temperatures, be careful not to touch the oven with your bare hands; we strongly recommend the use of protective gear (i.e., pot holders, gloves, BBQ

CHARACTERISTICS

When installing and using your new ÑUKE® oven, consider the following dimensions.

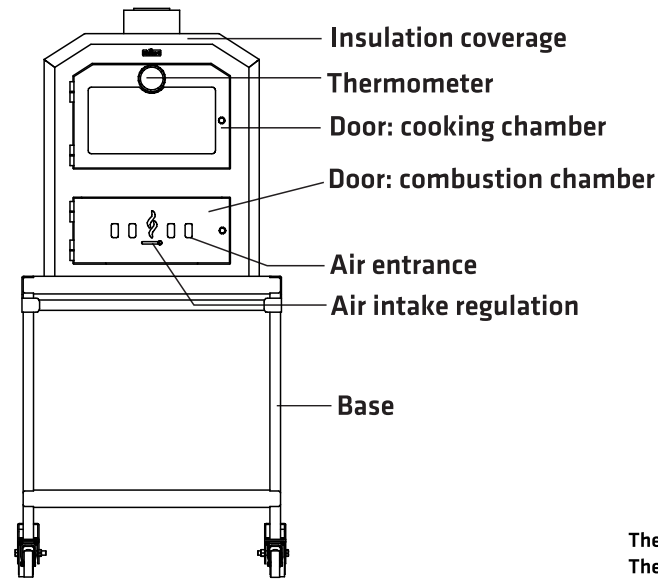
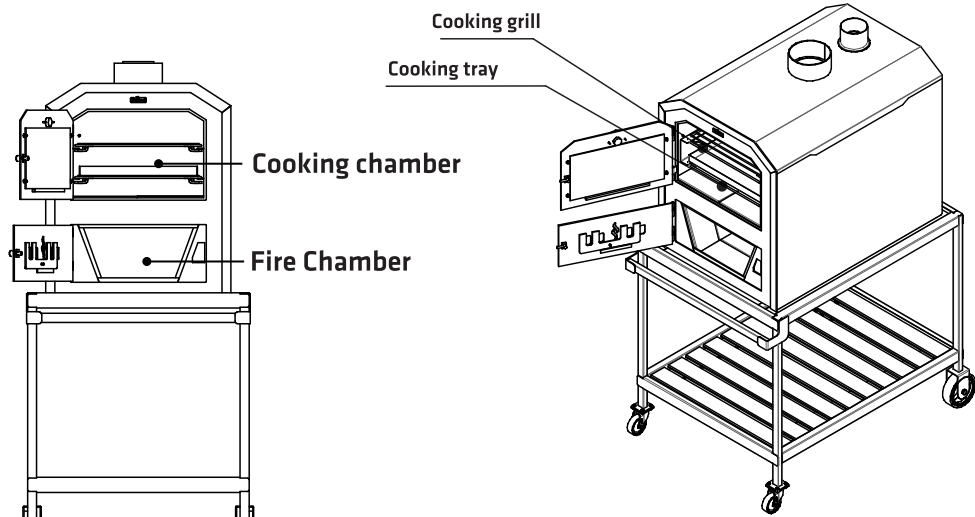


When installing and using your new ÑUKE® oven, please keep in mind the following recommendations.



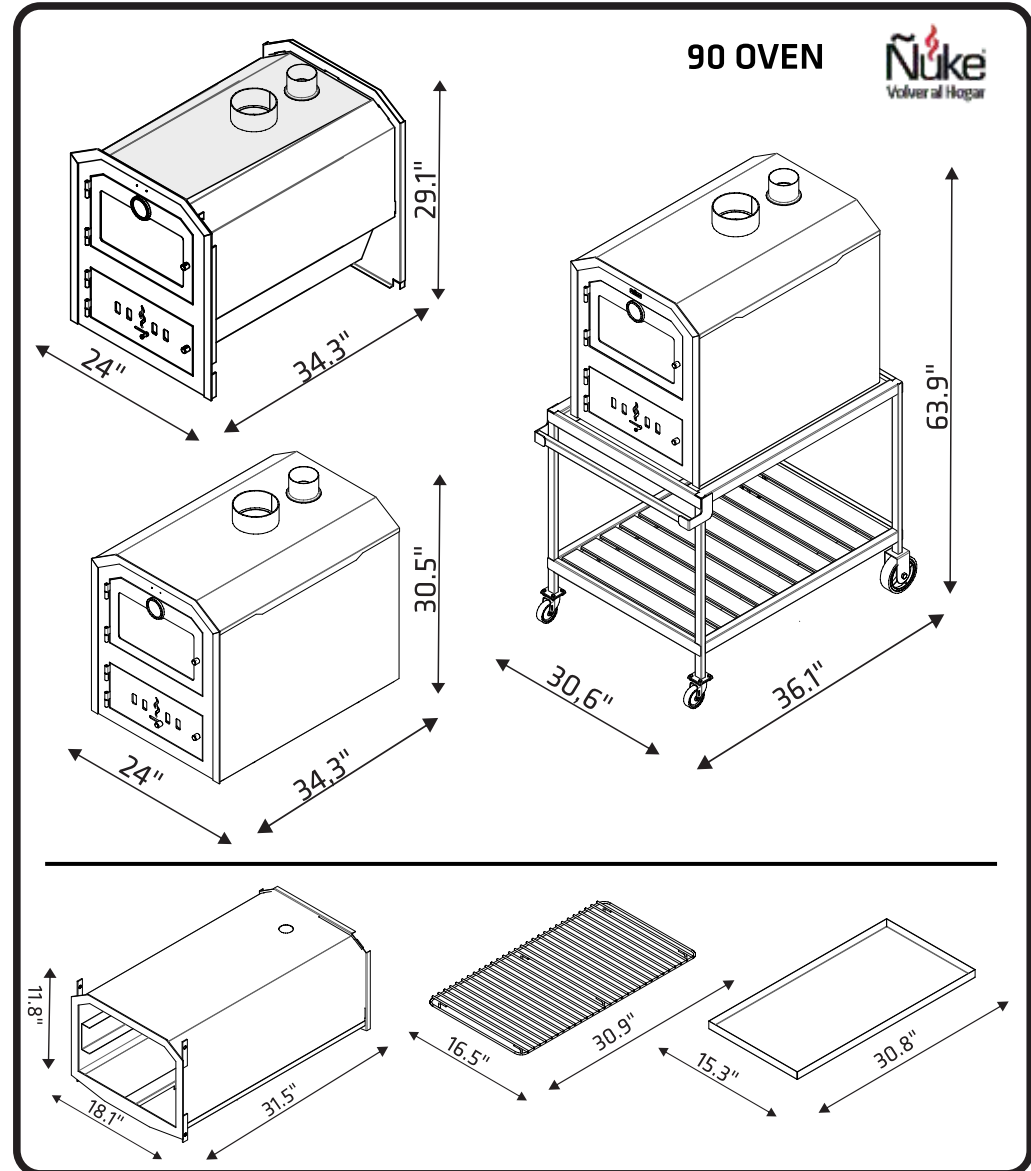
AREAS OF LOADING AND USE

Get to know your new ÑUKE oven (according to model)



The Base model is taken as a reference. These specifications apply to all models.

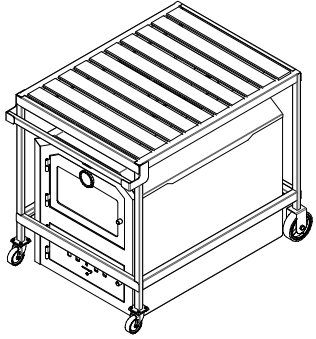
When installing and using your new ÑUKE® oven, consider the following dimensions.



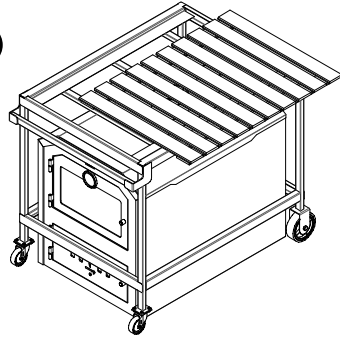
ASSEMBLY

Follow the instructions for placing your oven on its base.

1

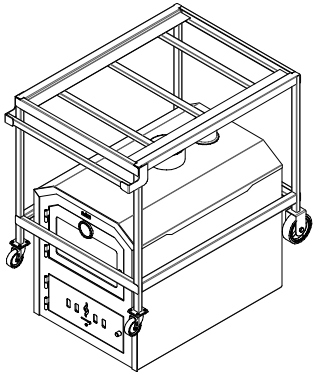


2

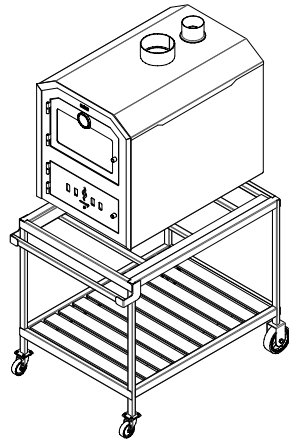



Remove the wooden shelf and set it aside for its subsequent placement.


3



4



 When moving your OVEN keep in mind that it is a heavy piece of equipment, request help from others if needed, to avoid injuries.

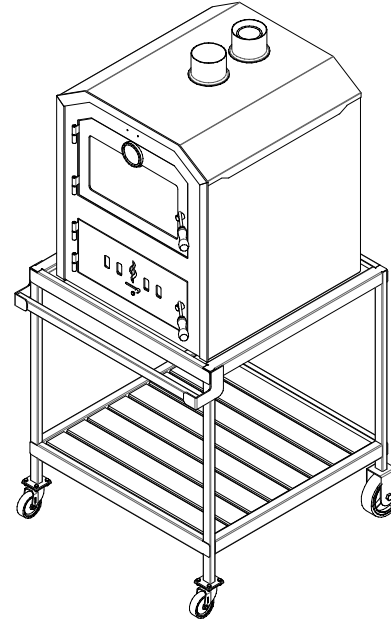
 310 lbs.

Lift the base as seen in image 3, carefully and between two people.

Once the base is removed, place the wooden shelf as seen in image 4 and then place the oven on the base (keep in mind that it is a heavy equipment and can need help from 2 or more people), it must be housed in the base.

The images are illustrative, NUKE reserve the right to change the design with no prior notice.

60 OVEN



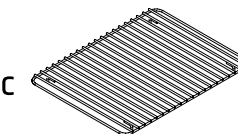
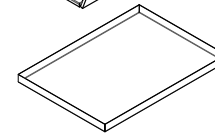
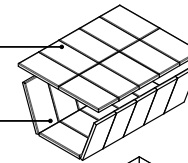
Inside your oven you will find

Refractory bricks x10 pc
Cooking Chamber

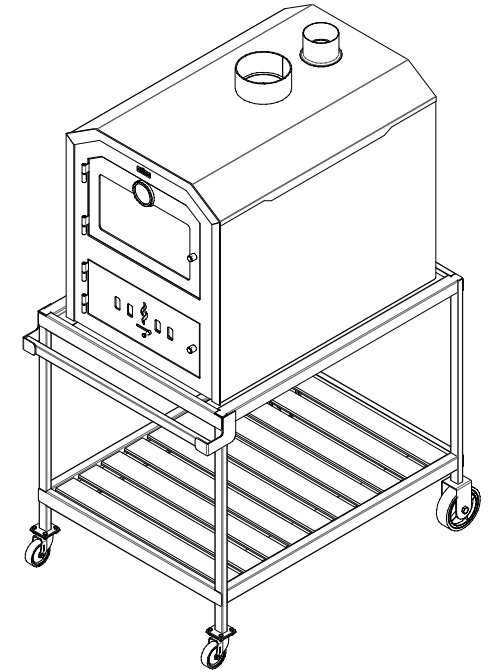
Refractory bricks x15 pc
fire Chamber

Stainless steel tray
x1 pc

Chrome plated x2 pc



90 OVEN



Inside your oven you will find

Refractory bricks x14 pc
Cooking Chamber

Refractory bricks x21 pc
fire Chamber

Stainless steel tray
x1 pc

Chrome plated x2 pc

